

**vånEE G3000H ECM**

**Part no. G3000HE**

50 to 250 CFM (0.4 in. w.g.)



**THE PEAK OF FRESH AIR IS HERE**

The whole home ventilation system is a centerpiece of today's energy-efficient homes. vånEE introduces its new Gold Series that combines the best performance with the best energy efficiency to provide fresher, purer air in your home at a lower overall operating cost. That's Pure Efficiency.

The G3000H ECM is the perfect solution for mid to large size homes in need for the most energy-efficient ventilation solution.

- Up to 250 CFM at 0.4 in. w.g.
- High efficiency heat recovery core with a sensible recovery efficiency of 75% at 0°C (32°F) and 66% at -25°C (-13°F)
- German-made ECM motors
- Minimal power consumption of 18W and 3.6 CFM/Watt at 64 CFM
- Merv 6 grade filters and optional HEPA filtration
- Electronic balancing and no balancing dampers
- Included wall mounting bracket

**REPAIRS AND MAINTENANCE**

The G3000H ECM high output ECM\* motors are permanently lubricated. The electronic circuit board eliminates electromechanical parts, reducing repair time to a minimum.

**WARRANTY**

The G3000H ECM is protected by a 5-year warranty on parts only, except for the heat recovery core, which is covered by a limited lifetime warranty, with the original proof of purchase.

\*Electronically Commutated Motor.

Available at:

**HEAT RECOVERY VENTILATOR**

**Controls**

The exclusive Gold-Touch wall control is the only compatible wall control with the new Gold Series. At installation, the inside control panel features electronic balancing and no balancing dampers. The balancing is performed with the help of the Gold-Touch wall control.

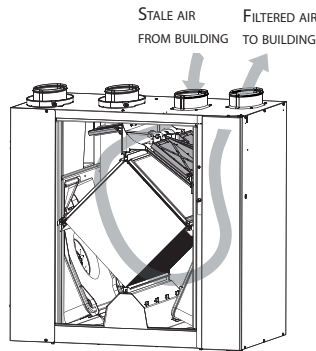
For more details about the control, refer to the User Guide - Main and auxiliary wall controls available at [www.vanee.ca](http://www.vanee.ca).

**Options**

HEPA Filter 21996

Additional 0.3 in.w.g. static pressure at highest speed to be considered. Refer to the HEPA filter instructions for more details.

**Homeshield™ Defrosting System**



The G3000H ECM uses a unique defrosting method. No negative pressure is created by air exhausted to the outside, as the air is recirculated into the house, helping to prevent any backdraft.

With the help of the Gold-Touch wall control, this unit allows 3 defrost modes:

- Standard (factory set regular mode)
- Plus (extended defrost for colder areas)
- Discretion (keeps the same speed when performing defrost as performing ventilation)

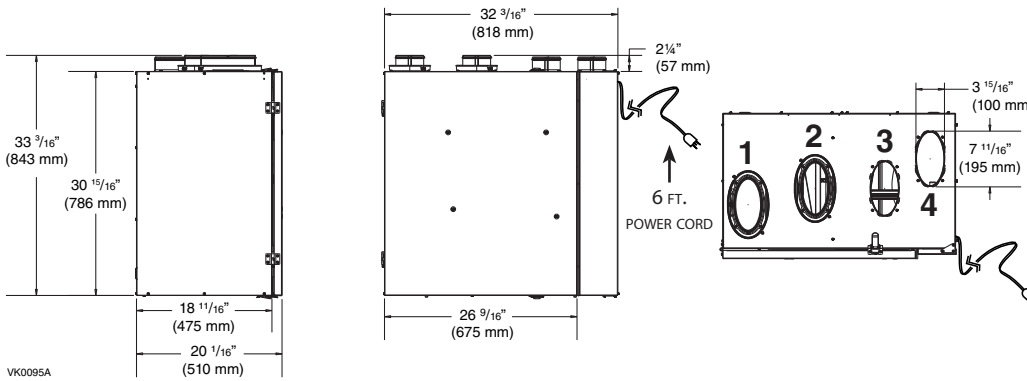
OUTSIDE TEMPERATURE*		DEFROST IN MINUTES / AIR EXCHANGE IN MINUTES					
		STANDARD		DISCRETION		PLUS	
°C	°F	CONTINUOUS MODE	TURBO FUNCTION	CONTINUOUS MODE	TURBO FUNCTION	CONTINUOUS MODE	TURBO FUNCTION
-27 and less	-17 and less	8/25	8/20	16/25	16/20	12/20	12/15
-20 To -27	-4 To -17	6/32	6/27	12/32	12/27	10/20	10/15
-15 To -20	5 To -4	6/35	6/30	12/35	12/30	8/25	8/20
-10 To -15	14 To 5	6/40	6/35	12/40	12/35	8/30	8/25
-5 To -10	23 To 14	6/50	6/45	12/50	12/45	8/40	8/30
WARMER THAN -5	WARMER THAN 23	NO DEFROST					

\*Outside temperature is read by a thermistor located inside the unit, next to fresh air from outside port.

**Requirements and standards**

- Complies with the UL 1812 requirements regulating the installation of Heat Recovery Ventilators
- Complies with the CSA C22.2 no. 113 Standard applicable to ventilators
- Complies with CSA F326 requirements regulating the installation of Heat Recovery Ventilators
- Technical data was obtained from published results of tests relating to CSA C439 Standards
- HVI certified and ENERGY STAR® qualified

# DIMENSIONS: G3000H ECM



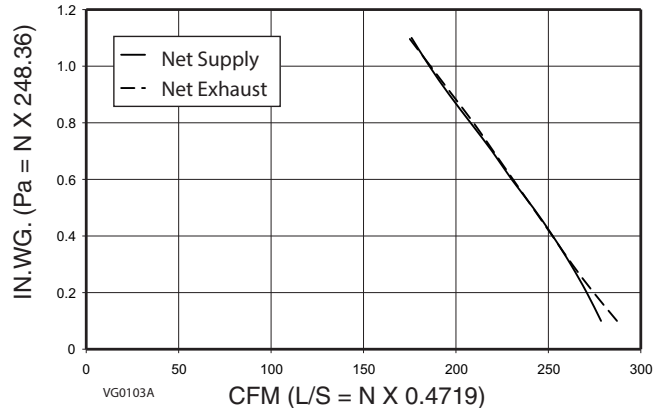
NOTE: ALL UNITS PORTS WERE CREATED TO BE CONNECTED TO DUCTS HAVING A MINIMUM OF 6" DIAMETER, BUT IF NEEDED, THEY CAN BE CONNECTED TO BIGGER SIZED DUCTS BY USING AN APPROPRIATE TRANSITION (E.G.: 6" DIAMETER TO 7" DIAMETER TRANSITION).

- 1: EXHAUST AIR TO OUTSIDE PORT
- 2: FRESH AIR FROM OUTSIDE PORT
- 3: EXHAUST AIR FROM BUILDING PORT
- 4: FRESH AIR TO BUILDING PORT

## VENTILATION PERFORMANCE

EXTERNAL STATIC PRESSURE		NET SUPPLY AIR FLOW			GROSS AIR FLOW					
PA	IN. W.G.	L/S	CFM	M <sup>3</sup> /H	SUPPLY			EXHAUST		
PA	IN. W.G.	L/S	CFM	M <sup>3</sup> /H	L/S	CFM	M <sup>3</sup> /H	L/S	CFM	M <sup>3</sup> /H
25	0.1	131	278	472	132	280	476	136	288	488
50	0.2	128	271	460	129	273	464	130	275	467
75	0.3	124	262	445	125	265	448	124	263	447
100	0.4	119	252	428	120	254	431	119	252	428
125	0.5	114	242	411	115	244	415	114	242	411
150	0.6	109	231	391	110	233	394	109	231	392
175	0.7	104	220	374	104	220	374	104	220	374
200	0.8	98	208	353	99	210	355	99	210	357
225	0.9	93	197	333	94	199	336	93	197	336
250	1.0	88	186	316	89	189	319	88	186	316
275	1.1	83	176	299	84	178	302	82	174	297

## FAN CURVE ACCORDING TO SPEED



FULLY ADJUSTABLE SPEED RANGE FROM 50 CFM TO MAXIMUM SPEED.

## ENERGY PERFORMANCE

SUPPLY TEMPERATURE		NET AIR FLOW			POWER CONSUMED WATTS	SENSIBLE RECOVERY EFFICIENCY	ADJUSTED SENSIBLE RECOVERY EFFICIENCY	APPARENT SENSIBLE EFFECTIVENESS*	LATENT RECOVERY/MOISTURE TRANSFER
°C	°F	L/S	CFM	M <sup>3</sup> /H					
HEATING									
0	32	30	64	109	18	75	77	81	0
0	32	47	100	170	25	70	71	75	0
0	32	69	146	248	47	65	66	70	0
-25	-13	30	64	109	28	66	67	83	0
-25	-13	43	91	156	31	61	62	79	0

\*Data not certified by HVI.

NOTE: All specifications are subject to change without notice.

## SPECIFICATIONS

- Model: G3000H ECM
- Part Number: G3000HE
- Total Assembled Weight (including polypropylene core): 93 lb. (42 kg)
- Oval shaped ports; fit 6" round ducts
- Drains: 1/2" (1.2 cm) fittings with 10 ft. (3m) PVC drain
- Core Filters: 2 washable Merv 6 filters,
- Housing: Pre-painted steel
- Optional HEPA Filter
- Insulation: Expanded polystyrene
- Mounting: Suspension by chains and springs or wall bracket system
- Supply and Exhaust Blower Motors:
  - 2 German-made ECM motors
  - Protection type: Thermally protected
- Gold-Touch wall control offering 5 manual modes: Recirculation, 20 MIN/H, Continuous Smart and Turbo
- Heat Recovery Core:
  - Dimensions: 12" x 12" x 16.6" (30.5 cm x 30.5 cm x 42.2 cm)
  - Exchange surface: 144 ft.<sup>2</sup> (13.4 m<sup>2</sup>)
  - Weight: 11 lb. (5 kg)
  - Type: Crossflow
  - Material: Polypropylene
  - Warranty: Limited lifetime
- Unit Electrical Characteristics:
 

Volts	Frequency	Amperes	Watts
120	60 Hz	2.2	135

Project:	REMARKS
Location:	
Part no.: G3000HE	
Qty.:	
Submitted by:	Date:



Residential Products Group, 550 Lemire Blvd., Drummondville, Qc, Canada J2C 7W9 - Tel.: 1-800-567-3855 Fax: 1-800-567-1715



www.vanee.ca

G3000HECMd191108