

### ▶ FEATURES

- + Ships with Healthy Home MERV 13 filter
- + Can use MERV 11, MERV 13 with Carbon, or MERV 16 filters with simple media change.
- + Minimal maintenance required — simply replace filter annually
- + Made of corrosion-resistant heavy gauge pre-painted steel
- + Proprietary door design and Self-Seal™ media virtually eliminates air bypass, delivering MERV performance as rated
- + UL listed air cleaners, UL classified filters
- + Load rated up to 400 lbs.
- + 5-year warranty on cabinet from date of installation



### ▶ BENEFITS

- + Offers equipment protection from dust buildup, reducing profit-robbing callbacks
- + Assure system performance pressure through low static
- + Superior performance over one-inch filters— next to no bypass, longer filter life, traps more particles

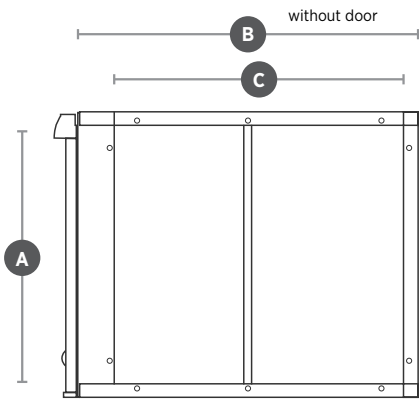
## PRODUCT SPECIFICATIONS

			MERV 13				MERV 11						
	Nominal Size (In Inches)	Shipping Weight	Replacement Filter	Resistance @ Airflow Volume (Inches w.c. @ CFM)		Filter Carton Shipping Weight	Filtering Media Area	Replacement Filter	Resistance @ Airflow Volume (Inches w.c. @ CFM)		Filter Carton Shipping Weight	Filtering Media Area	
SHIPS WITH	Model 2210	20 x 25	18 lbs.	Model 213	.06"@600	.09"@800	25 lbs., 8 filters per carton	28 sq. ft.	Model 210	.04"@600	.13"@1400	25 lbs., 8 filters per carton	28 sq. ft.
	Model 2310	20 x 20	15 lbs.		.12"@1000	.15"@1200				.06"@800	.16"@1600		
	Model 2410	16 x 25	17 lbs.		.23"@1600	.19"@1400				.08"@1000	.19"@1800		
ALSO USES					.27"@1800	.31"@2000							
				Model 313	.09"@600	.17"@1000	19 lbs., 8 filters per carton	21.3 sq. ft.	Model 310	.06"@600	.14"@1000	19 lbs., 8 filters per carton	21.3 sq. ft.
				Model 413	.13"@800	.23"@1200	22 lbs., 8 filters per carton	24.5 sq. ft.	Model 410	.10"@800	.19"@1200	22 lbs., 8 filters per carton	24.5 sq. ft.
					.07"@600	.10"@800				.05"@600	.15"@1400		
					.14"@1000	.17"@1200				.07"@800	.19"@1600		
					.26"@1600	.22"@1400				.09"@1000	.22"@1800		
					.31"@1800	.37"@2000				.12"@1200	.27"@2000		

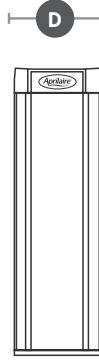
### REMOVAL EFFICIENCY (Based on Particle Size)

	0.3-1.0 Microns	1.0-3.0 Microns	3.0-10 Microns
<b>MERV 13</b>	63%	88%	93%
<b>MERV 11</b>	37%	67%	92%

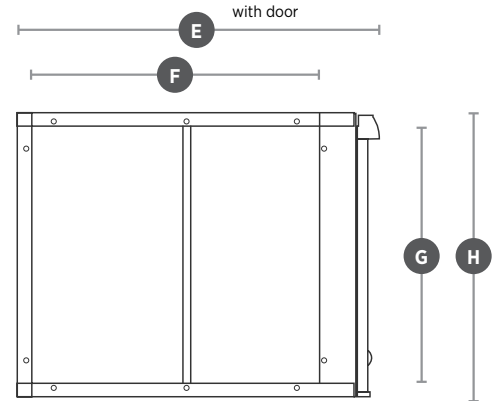
### Right Side



### Front

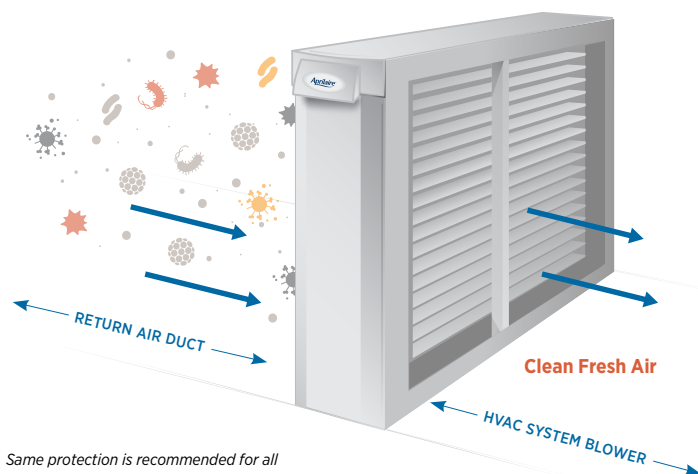


### Left Side



Dim.	Description	Model		
		2210	2310	2410
<b>A</b>	Inlet Opening Height	19 3/4" (502mm)	18 1/6" (459mm)	15 7/8" (392mm)
<b>B</b>	Outer Housing Depth without Door	25 3/8" (645mm)	20 1/6" (510mm)	28 1/8" (713mm)
<b>C</b>	Inlet Opening Width	21 3/8" (538mm)	15 7/8" (403mm)	23 3/8" (606mm)
<b>D</b>	Unit Width	6 3/4" (171mm)	6 3/4" (171mm)	6 3/4" (171mm)
<b>E</b>	Outer Housing Depth with Door	27 3/8" (695mm)	22 1/6" (560mm)	30 1/8" (764mm)
<b>F</b>	Outlet Opening Width	21 3/8" (538mm)	15 7/8" (403mm)	23 3/8" (606mm)
<b>G</b>	Outlet Opening Height	19 3/4" (502mm)	18 1/6" (459mm)	15 7/8" (392mm)
<b>H</b>	Unit Height	22 1/8" (560mm)	20 3/8" (518mm)	17 3/4" (451mm)

## Replacement Filter



Same protection is recommended for all HVAC types. Including downflow, upflow and horizontal configurations.

GENUINE  
**Aprilaire**  
AIR FILTER

**Clean Air**  
VACUUM & DUST  
LESS OFTEN

EFFICIENCY RATING  
**MERV 11**  
1-YEAR LIFE

STOCK NO.  
**210**  
Fits Aprilaire Purifier Models:  
1210 | 1420 | 1220 | 1226 | 1226 | 1226 | 4200

Ships With	<b>Model 1110</b>	Filter Model 110
	<b>Model 1210</b>	Filter Model 210
	<b>Model 1310</b>	Filter Model 310
	<b>Model 1410</b>	Filter Model 410
	<b>Model 1910</b>	Filter Model 910

GENUINE  
**Aprilaire**  
AIR FILTER

**Healthy Home**  
REMOVES MOST  
COMMON ALLERGENS

EFFICIENCY RATING  
**MERV 13**  
1-YEAR LIFE

STOCK NO.  
**213**  
Fits Aprilaire Purifier Models:  
1200 | 1400 | 1210 | 1216 | 1216 | 4200

Ships With	<b>Model 1110</b>	Filter Model 113
	<b>Model 1210</b>	Filter Model 213
	<b>Model 1310</b>	Filter Model 313
	<b>Model 1410</b>	Filter Model 413
	<b>Model 1910</b>	Filter Model 913

AprilairePartners.com

Form No. 2362 • 305859 12.20

©2020 Aprilaire – Division of Research Products Corporation

APRILAIRE RESERVES THE RIGHT TO CHANGE SPECIFICATIONS WITHOUT NOTICE.

P.O. Box 1467

Madison, WI 53701-1467

800.334.6011 F: 608.257.4357

