

# FLEXX

## 18 SEER DC Inverter Condensing Unit

### GUD36W/A-D(U)



C/W Crank-Case & Drain Pan Heater & 10 Years Unlimited Parts Warranty.

24V communication

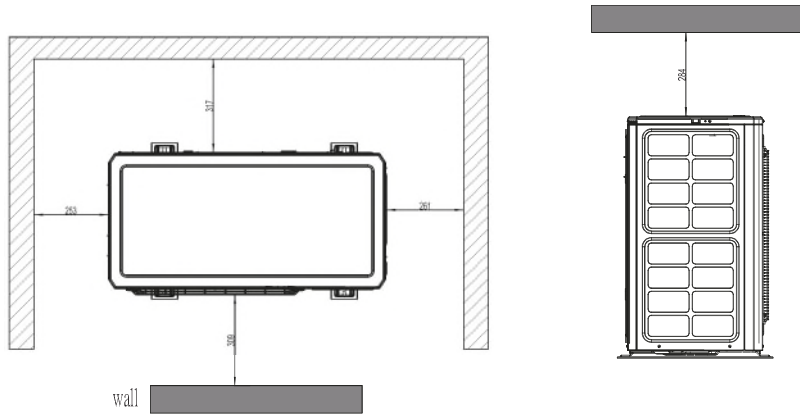
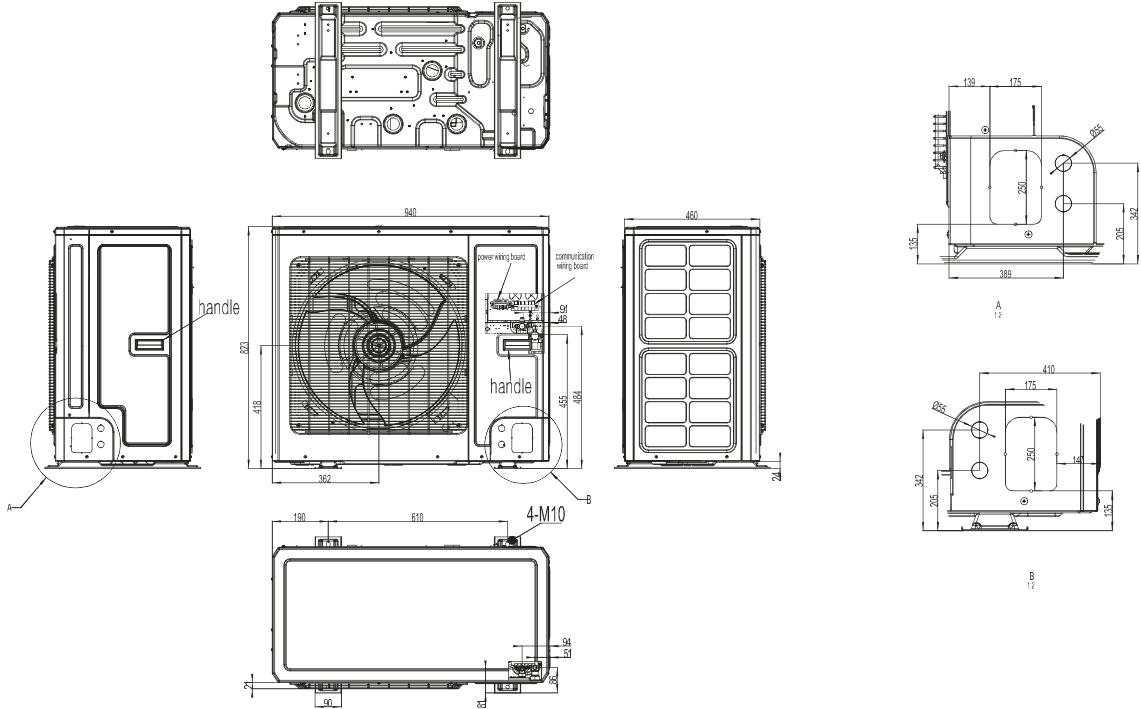
Item	Unit	Parameter
Model	—	GUD36W/A-D(U)
Performance	Unit	
Cooling Capacity	Btu/h	36000
Heating Capacity	Btu/h	36000
Power Supply	—	208/230V/1Ph/60Hz
Sound Pressure Level	dB(A)	52 (45~56)
Energy Efficiency	Unit	
SEER	—	18
EER	—	11
HSPF	—	10
Electrical Data	Unit	
Minimum - Maximum Voltage	V	187~253
Control Voltage	V	24
Rated Current Cooling	A	14.5
Rated Current Heating	A	15
MCA	A	26.5
MOP	A	40
Dimension/Weight	Unit	
External Dimensions (H×W×D)	mm/inch	940×457×820/ (37×18×32-3/10)
Net Weight	kg/lbs	94.71 / 209
Gross Weight	kg/lbs	106.95 / 236
Refrigerant Piping		
Gas Pipe	m/ft	19 / (3/4)
Liquid Pipe	m/ft	9.5 / (3/8)
Standard Pipe Length	m/ft	7.62/ 25
Max refrigerant pipe length between Indoor and Outdoor (m)	m/ft	30.48 / 100
Max vertical height difference between Indoor and Outdoor (m)	m/ft	15.24/ 50
Other		
Connection Method	—	Flare/Screw
Refrigerant Type	—	R410A
Precharge Refrigerant	kg/oz	3.4/123
Operation temperature for cooling	°C/°F	20~51/-5~125
Operation temperature for heating	°C/°F	-30~30 / -22~86

Job Name:

Schedule Reference:

Date:

## Outline and Physical Dimensions of GUD36W/A-D(U).



Unit outline dimension: mm



### GREE ELECTRIC APPLIANCES, INC. OF ZHUHAI

Add: West Jinji Rd., Qianshan, Zhuhai, Guangdong, China, 519070

Tel: (+86-756) 8522218 Fax: (+86-756)8669426 E-mail: gree@gree.com.cn www.gree.com